

# 2/2 Way Diaphragm Direct Lifting Type - Solenoid Valves UBS Series

Normally Closed (Option: Normally Open)  
Open form 0 Bar for low Pressure system use.

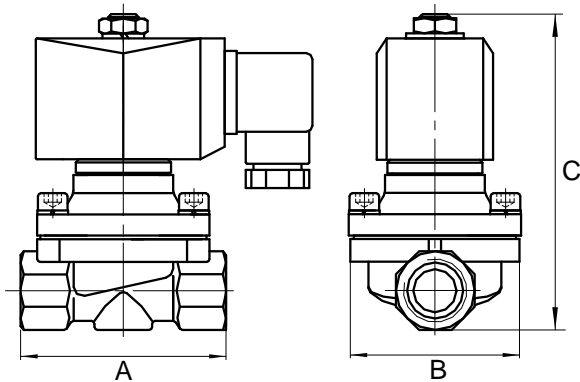
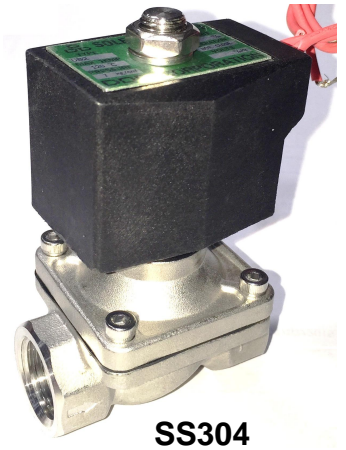
Valve port Size: 3/8" ~ 2"  
Valve Material: Brass , Stainless steel SS304 (Option : SS316 or SS316L)  
Valve port Thread: PT , G ( Option : NPT , RC )  
Application: Weater , Hot water , Air , Gas , Vacuum , light oil (Max.20CST)  
Temperature: -5°C~80°C ( NBR Seal )  
-10°C~110°C ( EPDM Seal )  
-10°C~130°C ( VITON Seal )  
Coil: 100% ED IP65 ( Option : IP67 or IP68 )  
Voltage: AC220V , AC110V +/-10% , ( Option : AC24V )  
DC24V , DC12V , (Option : DC48V )  
or other voltage.



## 二通 大流量 直動膜片式 - 電磁閥 UBS系列

常閉型-通電開 ( 選配:常開型-通電關 )  
零壓力作動, 可用於微壓低壓系統

閥體尺寸: 3/8" ~ 2"  
閥體材質: 銅, 不鏽鋼SS304 ( 選配:SS316 或 SS316L )  
閥接口牙: PT , G ( 選配 : NPT , RC )  
適用流體: 水, 熱水, 空氣, 瓦斯, 真空, 輕油 (黏度 20CST以下)  
流體溫度: -5°C~80°C ( NBR Seal )  
-10°C~110°C ( EPDM Seal )  
-10°C~130°C ( VITON Seal )  
線圈: 100% ED IP65 ( 選配 : IP67 或 IP68完全防水 )  
電壓: AC220V , AC110V +/-10% , ( 選配AC24V )  
DC24V , DC12V (選配DC48V )  
其他電壓可接受訂製



### Materials Chart

Description	Material
Solenoid pipe	Stainless steel
Solenoid mobile iron cord	Stainless steel
Stop-leak plug	NBR , EPDM , Viton <input type="checkbox"/>
Spring	Stainless steel
Valve body	Brass , SS304 , SS316
Diaphragm	NBR , EPDM , Viton
Stop-leak ring	NBR , EPDM , Viton

Model	Orifice ( mm )	Pipe Size ( Inch )	CV	Operating Press. ( bar )		A × B × C ( mm )	Weight (kg)	
				AC 110V AC 220V	DC24V		Brass	SS304
UBS-10	15	3/8 "	3.5	0~10	0~8	60×45×101	0.7	0.62
UBS-15	15	1/2 "	3.5	0~10	0~8	60×45×101	0.7	0.62
UBS-20	20	3/4 "	7.6	0~10	0~8	67×50×107	0.74	0.62
UBS-25	25	1 "	12	0~10	0~8	82×66×115	1.1	1.0
UBS-32	32	1 1/4 "	24	0~10	0~6	102×82×147	2.0	1.8
UBS-40	40	1 1/2 "	29	0~10	0~6	110×85×153	2.2	2.0
UBS-50	50	2 "	48	0~10	0~6	134×108×166	3.1	2.8