

DD

SINCE 1983

AUTOMATIC VALVES

ELECTRIC ACTUATED VALVES

100% DUTY CYCLE , MUTE ACTUATOR , HIGH TORQUE
FAIL-SAFE , MANUAL OVERRIDE , O/S LED LIGHT
MODULATING CONTROLLER , ROTARY OR LINEAR TYPE
WEATHER PROOF



DD
AUTO-VALVE

DDD ENTERPRISE CO., LTD.

1F., NO.11, SEC. 1, SIPING RD., XIZHI DIST., NEW TAIPEI CITY 22172, TAIWAN (R.O.C.)

Tel: 886-2-86483176 Fax: 886-2-86475088 <http://www.autovalve.tw> E-Mail: service@autovalve.tw

Electric Actuator JM-SERIES

Features:

- 350 to 6100 kgf-cm torque output, 7 models.
- Available in IEC IP67 compliant.
- Certificates : CE.
- Each unit has two(2) switch for stop as standard.
- ISO Mounting patterns and female drive output shafts.
- The cover is a Polycarbonate and Aluminum base is Irridited.
- Standard position indicators.
- Standard manual Over-Rides.
- 110VAC, 220VAC, 24VDC and 12VDC models available.
- Temperature : -10°C~60°C.
The humidity : 30%~95%.



Optional accessories

1. Space heater.
2. TWO(2) Additional limit switches.
3. Proportional control.
4. Potentiometer unit 5k Ohm.
5. Built -in LED position indicator .
7. 12VDC , 24VDC , 24VAC , 220VAC~440VAC 3 Phase.
8. (Put-Inside) Modulating Controller 0~100%, Input/Output Signal 4~20mA or 2~10VDC or 1~5VDC
9. (Put-Inside) Failure-Safe Controller , Nor. Close , Nor. Open
10. ROTARY OR LINEAR TYPE

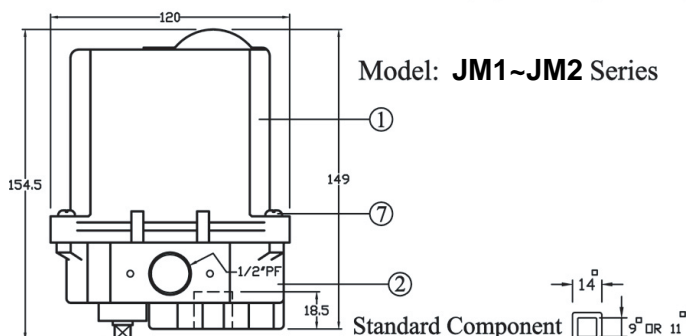
Specification and Performance Data - Open/Close

Actuator Model	Torque kgf-cm	Time For 90° Travel 50 / 60Hz	110 VAC 1 Phase		220 VAC 1 Phase		Manual Override	Weight (Kg)	Mounting Flange ISO 5211
			50 / 60Hz	0.6 / 0.7A	0.29 / 0.38A	50 / 60Hz			
JM1	350	12 / 10Sec	0.6 / 0.7A	0.29 / 0.38A	Lever	1.8	F03,F04,F05,F07		
JM1A	350	19 / 16Sec	0.8 / 0.9A	0.4 / 0.5A	Lever	1.8	F03 F04 F05 F07		
JME	250	1 / 1Sec	0.6 / 0.7A	0.29 / 0.38A	Lever	1.8	F03,F04,F05,F07		
JM2	500	12 / 10Sec	0.8 / 0.9A	0.4 / 0.5A	Lever	1.8	F03 F04 F05 F07		
JM2A	500	19 / 16Sec	0.6 / 0.7A	0.29 / 0.38A	Lever	1.8	F03,F04,F05,F07		
JM2B	750	36 / 36Sec	0.8 / 0.9A	0.4 / 0.5A	Lever	1.8	F03,F04,F05,F07		
JM3	1700	10 / 8Sec	1.0 / 1.2A	0.69 / 0.72A	Lever	4.4	F05,F07		
JM3H	2070	12 / 10Sec	1.0 / 1.2A	0.69 / 0.72A	Hand Wheel	7.9	F07,F10,F12		
JM4H	3800	36 / 30Sec	1.0 / 1.2A	0.69 / 0.72A	Hand Wheel	8.6	F07,F10,F12		
JM5H	5020	36 / 30Sec	1.8 / 2.0A	1.0 / 0.75A	Hand Wheel	8.8	F07,F10,F12		
JM6H	6100	36 / 30Sec	2.8 / 2.4A	1.1 / 0.8 A	Hand Wheel	9.1	F07,F10,F12		

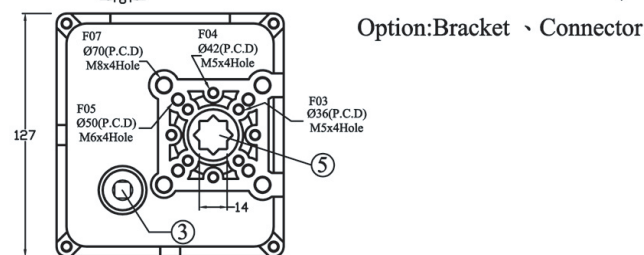
Electric Actuator JM-SERIES

DIMENSIONS:

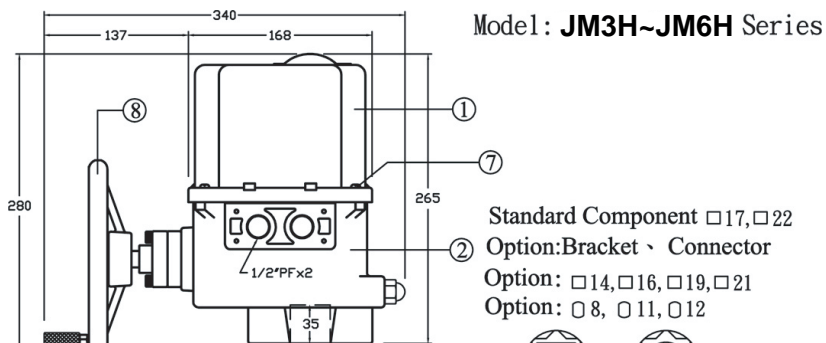
(UNITS:mm)



Model: **JM1~JM2 Series**

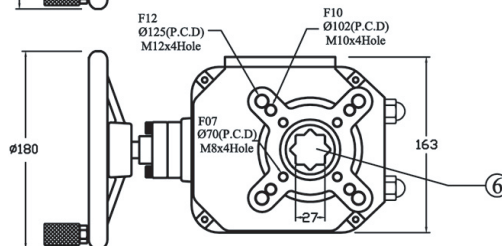


Option: Bracket 、 Connector

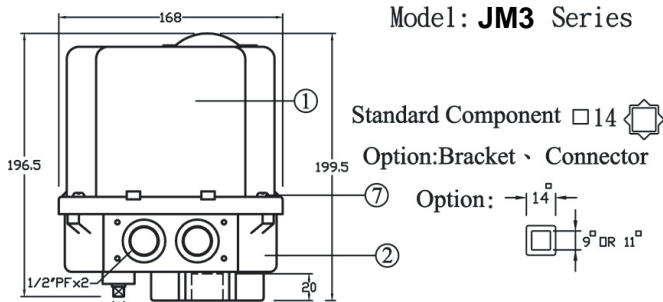


Model: **JM3H~JM6H Series**

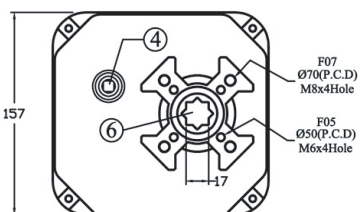
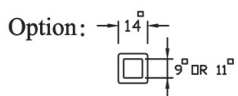
Standard Component □17, □22
Option: Bracket 、 Connector
Option: □14, □16, □19, □21
Option: □8, □11, □12



Model: **JM3 Series**



Standard Component □14
Option: Bracket 、 Connector

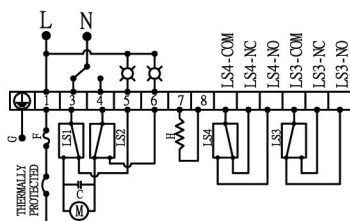


Electric Actuator Parts

Part	Description	Material
1.	Upper Housing	Polycarbonate
2.	Base	Aluminum
3.	Manual Shaft(JM 1, 2)	SUS
4.	Manual Shaft(JM 3)	S45C
5.	Output Shaft(JM 1, 2)	FDC0205-95H
6.	Output Shaft(JM 3~6H)	S45C
7.	Housing Bolts	300SS
8.	Handwheel	All Aluminum

WIRING DIAGRAMS:

WIRING DIAGRAM :110/220V AC , 24V DC/AC



- (1)-Power Supply
- (2)-Power-N is "Open"
- (3)-Power-N is "Close"
- (4)-Lamp "Open"
- (5)-Lamp "Close"
- (6) 7. 8-Heater (Option)
- (7) LS3 Auxiliary Limit Switch "Open" (Option)
- (8) LS4 Auxiliary Limit Switch "Close" (Option)