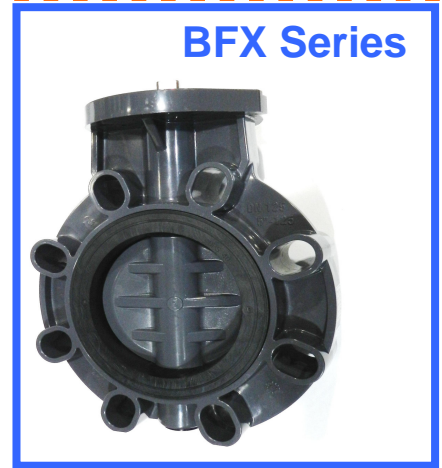
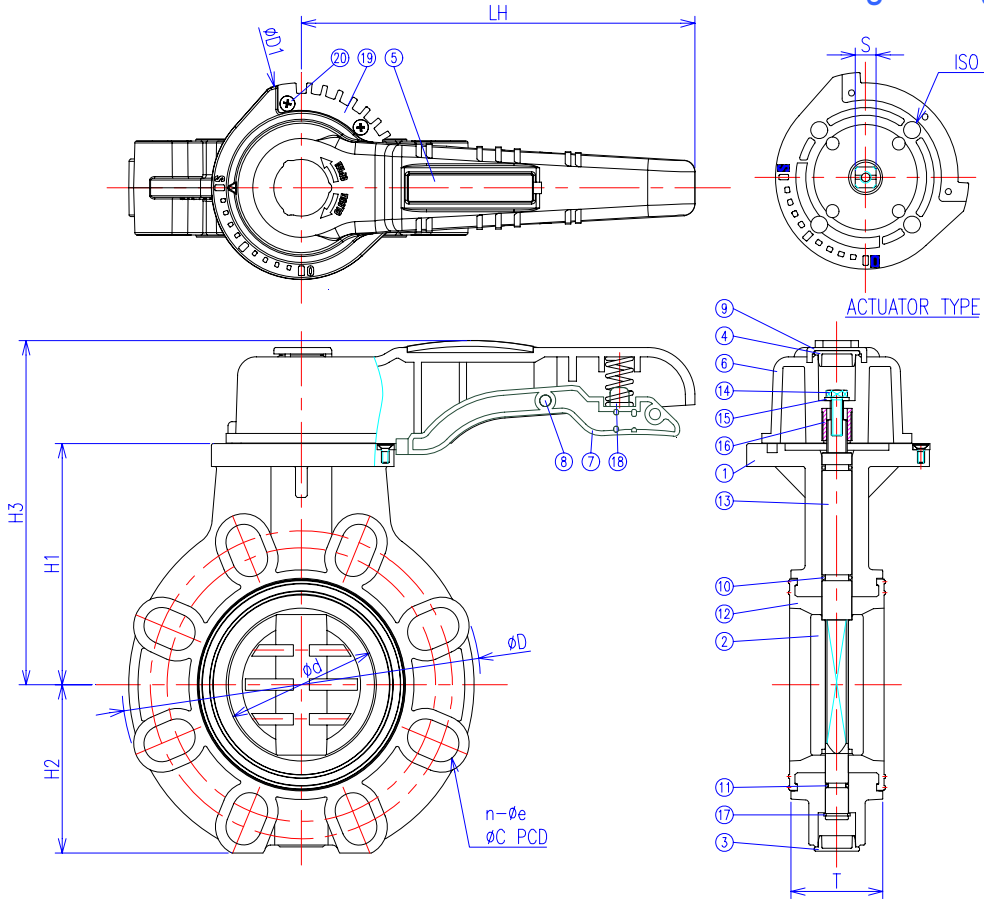


BUTTERFLY VALVES (for Electric Actuator / Pneumatic Actuator)

**D
DD**
AUTO-VALVE



- Made In TAIWAN
- Working pressure: 150 PSI / 73°F for FPM
EPDM: 2"~4" 200 PSI/73°F , 5"~8" 150 PSI/73°F
- Universal bolt holes suitable for ASTM, DIN and JIS systems
- Low flow loss
- Protection for over tightening of mating flange



No	PARTS NAME	Q'TY	MATERIAL
1	BODY	1	PVC, CPVC
2	DISC	1	PVC, CPVC
3	BODY CAP	1	ABS
4	HANDLE CAP	1	ABS
5	HANDLE CAP	1	ABS
6	HANDLE	1	ABS
7	SMALL HANDLE	1	NYLON
8	PIN	1	NYLON
9	CLEAR CAP	1	AS
10	STEM O-RING	2	EPDM, FPM
11	STEM O-RING	1	EPDM, FPM
12	SEAT	1	EPDM, FPM
13	STEM	1	SUS410
14	BOLT	1	SUS304
15	WASHER	1	SUS304
16	INSERT	1	SUS304
17	C-RING	1	SUS304
18	SPRING	1	SUS304
19	GEAR	1	SUS304
20	BOLT	3	SUS304

SIZE	D	T	LH	H1	H2	H3	d	ANSI		DIN		JIS		D1	S	ISO 5211
								ϕC	n- ϕe	ϕC	n- ϕe	ϕC	n- ϕe			
2"	152	43	210	103	70	158	57	120.7	4-19	125	4-18	120	4-19	110	11	F05/F07
2-1/2"	61	46	210	61	61	61	68	139.5	4-19	145	4-18	140	4-19	110	11	F05/F07
3"	71	49	210	71	71	71	78	152.4	4-19	160	8-18	150	8-19	110	11	F05/F07
4"	83	56	210	83	83	83	98	190.5	8-19	180	8-18	175	8-19	110	14	F07
5"	91	64	280	91	91	91	122	215.9	8-19	210	8-18	210	8-23	156	17	F07/F10
6"	110	70	280	110	110	110	146	241.5	8-23	240	8-23	240	8-23	156	17	F07/F10
8"	110	71	330	110	110	110	196	298.5	8-23	295	8-23	290	12-23	156	22	F10

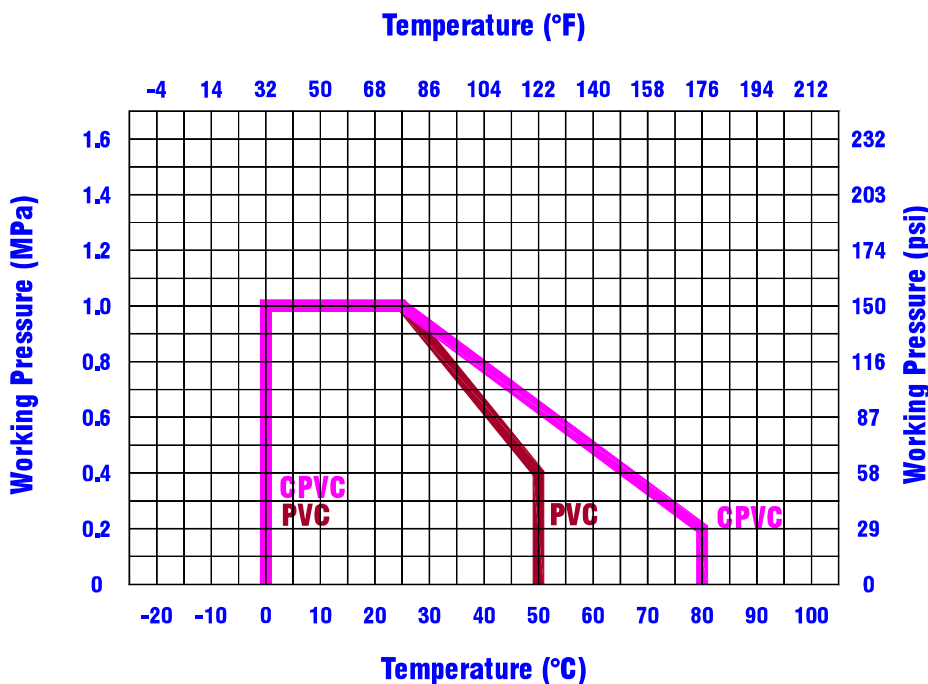
BUTTERFLY VALVES (for Electric Actuator Pneumatic Actuator)

BFX Series

Technical Information

Item	Description	Size	Material		
			Body	Seat	O-ring
(1)	Butterfly Valve	2"(DN50)	PVC,CPVC	EPDM,FPM	EPDM,FPM
(2)	Butterfly Valve	2-1/2"(DN65)	PVC,CPVC	EPDM,FPM	EPDM,FPM
(3)	Butterfly Valve	3"(DN80)	PVC,CPVC	EPDM,FPM	EPDM,FPM
(4)	Butterfly Valve	4"(DN100)	PVC,CPVC	EPDM,FPM	EPDM,FPM
(5)	Butterfly Valve	5"(DN125)	PVC,CPVC	EPDM,FPM	EPDM,FPM
(6)	Butterfly Valve	6"(DN150)	PVC,CPVC	EPDM,FPM	EPDM,FPM
(7)	Butterfly Valve	8"(DN200)	PVC,CPVC	EPDM,FPM	EPDM,FPM

Size	Hydrostatic Testing		Seat and O-ring Tests		Torque N*m	Cv
	Burst pressure water(kg/cm ²) min	Long-term behaviour test water(kg/cm ²)	Seat valve close air kg/cm ²	O-ring valve open air kg/cm ²		
2"(DN50)	42	22	6	6	15	110
2-1/2"(DN65)	42	22	6	6	20	230
3"(DN80)	42	22	6	6	25	280
4"(DN100)	42	22	6	6	40	440
5"(DN125)	42	22	6	6	55	800
6"(DN150)	42	22	6	6	75	1000
8"(DN200)	42	22	6	6	90	2200



Pressure Loss

Calculation Formula

$$\Delta P = (Q/Cv)^2$$

ΔP : Pressure Drop

Q : Flow in GPM

Cv : Flow Coefficient



DDD Enterprise Co., Ltd.

NO.11, SEC.1 Shi Ping RD., Shijih City, Taipei County 22172, Taiwan

Tel: 886-2-86483176 Fax: 886-2-86475088 <http://www.autovalve.tw> E-Mail: service@autovalve.tw