



AIR TORQUE

Made In ITALY



4th Generation Line Upgrade Series

PNEUMATIC ACTUATORS



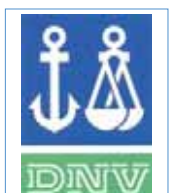
ATEX 94/9/EC



SIL3 IEC 61508



GOST-R



TYPE APPROVAL

Agent :



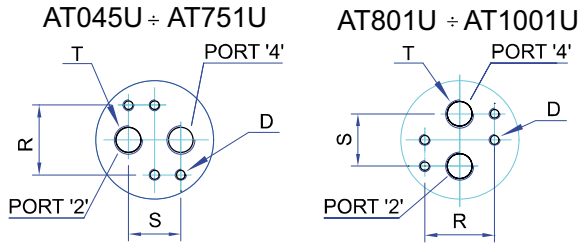
DDD Enterprise Co., Ltd.

NO.11, SEC.1 Shi Ping RD., Shijih City, Taipei County 22172, Taiwan

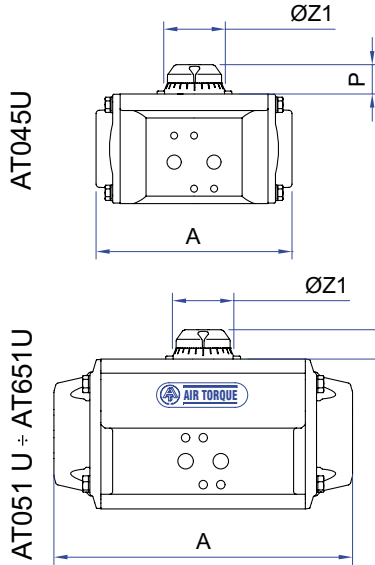
Tel: 886-2-86483176 Fax: 886-2-86475088 <http://www.autovalve.tw> E-Mail: service@autovalve.tw

DIMENSIONS AND TECHNICAL DATA

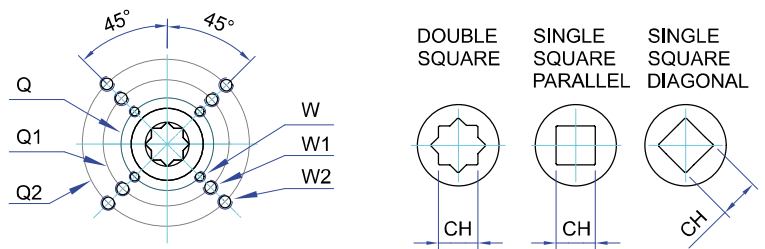
AIR CONNECTION VDI/VDE 3845



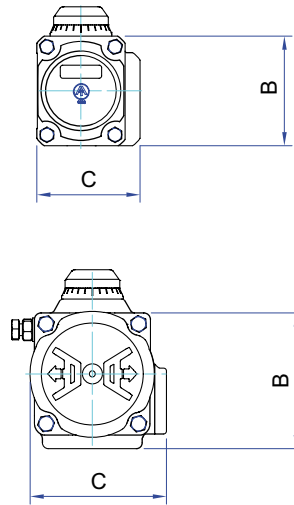
FRONT VIEW



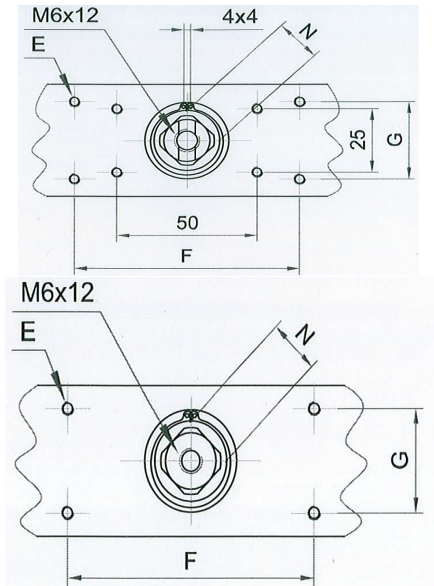
BOTTOM VIEW ISO 5211



SIDE VIEW



TOP DETAIL



DIMENSIONS IN mm

ACTUATOR MODEL	AT045U D/S	AT051U D/S	AT101U D/S	AT201U D/S	AT251U D/S	AT301U D/S	AT351U D/S	AT401U D/S	AT451U D/S	AT501U D/S	AT551U D/S	AT601U D/S	AT651U D/S	AT701U D/S	AT751U D/S	AT801U D/S	AT1001U D/S
A	118	135,5	153,5	203,5	241	259	304	333	394,5	422,5	474	528	605	710	812	855	950
B	66	69	85	102	115	127	145	157	177	196	220,5	245	298,5	330	383	410	518
C	62	71	84,5	93	106	118,5	136	146,5	166	181	200	221,5	262	330	371	418	528
D	M5x8	M5x8	M5x8	M5x8	M5x8	M5x8	M5x8	M5x8	M5x8	M5x8	M5x8	M5x8	M6x10	M6x10	M6x10	M6x10	M6x10
E	M5x8	M5x8	M5x8	M5x8	M5x8	M5x8	M5x8	M5x8	M5x8	M5x8	M5x8	M5x8	M5x8	M5x8	M5x8	M5x8	M6x10
F	80	80	80	80	80	80	80	80	80	80	130	130	130	130	130	130	200
G	30	30	30	30	30	30	30	30	30	30	30	30	30	30	30	30	50
N	11	11	11	17	17	17	27	27	27	27	36	36	36	36	36	36	36
P	15/20	20	20	20	20	20	30	30	30	30	50	50	50	50	50	50	80
R	32	32	32	32	32	32	32	32	32	32	32	32	45	45	45	45	45
S	24	24	24	24	24	24	24	24	24	24	24	24	40	40	40	40	40
T	1/8"	1/8"	1/8"	1/8"	1/8"	1/4"	1/4"	1/4"	1/4"	1/4"	1/4"	1/4"	3/8"	1/2"	1/2"	1/2"	1/2"
ØZ1	42	42	42	42	42	42	58	58	67,5	67,5	80	80	115	115	115	115	135
ISO Flange	F04	F04	F05 + F07	F05 + F07	F05 + F07	F07 + F10	F07 + F10	F07 + F10	F10 + F12	F10 + F12	F14	F14	F16	F16	F16	F16 + F25	F16 + F25 + F30
Q	42	42	50	50	50	70	70	70	102	102	140	140	165	165	165	165	165
Q1	-	-	70	70	70	102	102	102	125	125	-	-	-	-	-	254	254
Q2	-	-	-	-	-	-	-	-	-	-	-	-	-	-	-	-	298
W	M5	M5	M6	M6	M6	M8	M8	M8	M10	M10	M16	M16	M20	M20	M20	M20	M20
W1	-	-	M8	M8	M8	M10	M10	M10	M12	M12	-	-	-	-	-	M16	M16
W2	-	-	-	-	-	-	-	-	-	-	-	-	-	-	-	-	M20

TORQUE OUTPUT (Nm)

Double Acting = DA

Spring Return = SR

Supply Pressure Model	2.5bar	3bar	3.5bar	4bar	4.2bar	4.5bar	5bar	5.5bar	6bar	7bar	8bar	Weights (Kg)
AT045U DA	6.0	7.2	8.4	9.6	10.1	10.8	12.0	13.2	14.4	16.8	19.1	0.8
AT051U DA	8.3	10.0	11.6	13.3	14.0	15.0	16.6	18.3	19.9	23.3	26.6	1.1
AT101U DA	14.7	17.6	20.5	23.5	24.6	26.4	29.3	32.2	35.2	41.0	46.9	1.6
AT201U DA	29.1	34.9	40.7	46.5	48.9	52.4	58.2	64.0	69.8	81.4	93.1	2.7
AT251U DA	45.8	54.9	64.1	73.2	76.9	82.4	91.5	100.7	109.8	128.1	146.4	3.8
AT301U DA	66.5	79.8	93.1	106	112	120	133	146	160	186	213	5.2
AT351U DA	107	129	150	172	181	193	215	236	258	301	344	8.1
AT401U DA	138	166	194	222	233	249	277	305	332	388	443	10.0
AT451U DA	217	261	304	348	365	391	435	478	522	609	696	14.2
AT501U DA	284	340	397	454	477	511	567	624	681	794	908	17.8
AT551U DA	383	459	536	613	643	689	766	842	919	1072	1225	24.3
AT601U DA	532	638	745	851	893	957	1064	1170	1276	1489	1702	34.3
AT651U DA	893	1072	1251	1430	1501	1608	1787	1966	2144	2502	2859	54.4
AT701U DA	1297	1556	1815	2075	2179	2334	2594	2853	3112	3631	4150	76.2
AT751U DA	1795	2154	2513	2872	3015	3231	3590	3949	4308	5026	5744	118.0
AT801U DA	2252	2703	3153	3604	3784	4054	4504	4955	5405	6306	7207	127.0
AT1001U DA	4169	5003	5837	6671	7005	7505	8339	9173	10007	11674	**	170.1

Supply Pressure Model	4bar Max.	4bar Min.	Weights (Kg)
AT045U SR	6.4	3.2	0.9
AT051U SR	8.5	5.0	1.3
AT101U SR	14.6	8.9	1.8
AT201U SR	28.8	17.7	3.0
AT251U SR	46.2	27.0	4.4
AT301U SR	65.8	40.5	6.0
AT351U SR	106	65.6	9.4
AT401U SR	138	84	12.4
AT451U SR	216	132	17.1
AT501U SR	274	180	21.4
AT551U SR	379	234	32.7
AT601U SR	511	340	43.6
AT651U SR	853	577	69.0
AT701U SR	1281	793	95.7
AT751U SR	1746	1125	150.2
AT801U SR	2132	1472	168.3
AT1001U SR	3960	2711	238.2