



English/繁體中文



Hard Anodize



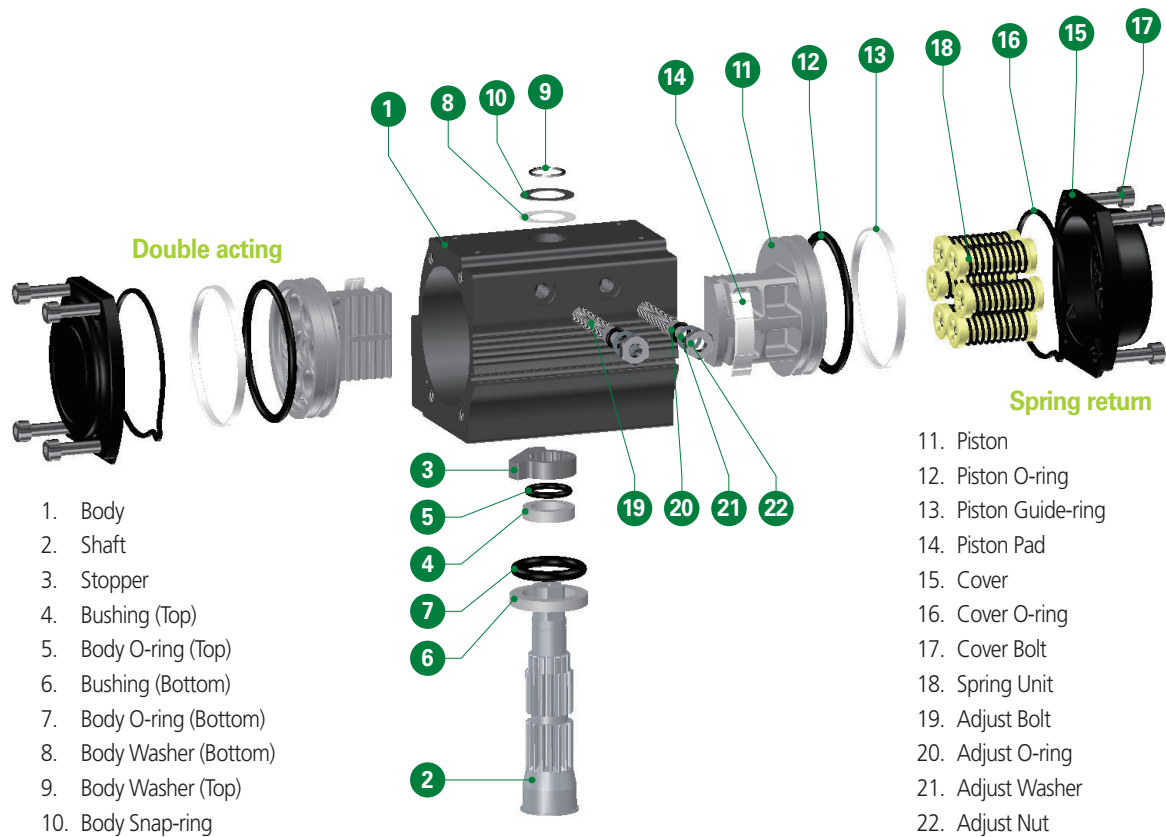
PNEUMATIC ACTUATOR

R series (rack&pinion)

NEWEST VERSION , ALUMINUM GRAY WITH ANODIZE

www.autovalve.tw

Part List

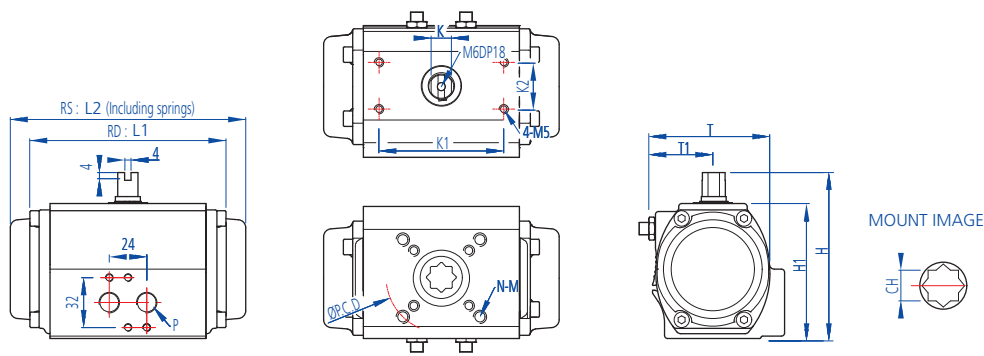


Operating Mechanism

DOUBLE ACTING	Action "A"			
	Action "B"			
SPRING RETURN	Action "A" (Fail Close)			
	Action "B" (Fail Open)			

RD Dimension table

Rack&pinion Double acting / Spring return



P	
32, 40	PT1/8
50~210	PT1/4

	K1	K2
32	25.5	25.5
40	50	25
50~160	80	30
210	130	30

Unit : mm

MODEL	ISO	P.C.D(Ø)	N-G	K	L1 (RD)	L2 (RS)	T	T1	H	H1	CH	DTH	W1(K) (RD)	W2(K) (RS)
*32	F03	36	4-M5	7	66	-	45	25	55	45	9*9	9	0.3	-
*40	F03/F05	36/50	4-M5/M6	9	109	109	60	33	74	54	9*9	9	0.6	0.6
50	F03/F05/F07	36/50/70	4-M5/M6/M8	10	119	133	75	40	90	70	11*11	13	1.3	1.6
65	F05/F07	50/70	4-M6/M8	13	131	154	88.5	46	106.5	86.5	14*14	16	1.7	2.1
80	F07	70	4-M8	17	189	220	101	49.5	126	106	17*17	19	2.7	3.4
90	F07	70	4-M8	19	190	219	104	54.5	136	116	17*17	19	4.1	5.1
100	F07/F10	70/102	4-M8/M10	22	229	256	132	61.5	148	128	22*22 17*17	26 19	4.7	5.9
125	F07/F10	70/102	4-M8/M10	22	330	330	151	71.5	174	154	22*22	19	7.4	9.2
140	F10/F12	102/125	4-M10/M12	24	332	389	164	77	192	172	27*27 22*22	30 19	12.1	15.1
160	F10/F12	102/125	4-M10/M12	32	366	416	188	104	216	196	27*27	30	16.8	21.0
210	F14	140	4-M16	36	444	527	231	115	284	254	36*36	30	29.9	37.3

- New model (R300) will be added.
- Models beginning with '*' indicate compact models. They may look different to the above images in real, simultaneous angle adjustment at both sides is disabled.
- 有 '*' 標誌的型號為小型型號,與上述圖片形像有所不同,也無法調整角度。

Torque table (Double acting)

Unit : Nm

MODEL	SUPPLY AIR				
	3Bar	4Bar	4.5Bar	5Bar	6Bar
RD32	3.2	4.5	5.3	6.0	7.3
RD40	5.0	7.0	8.0	9.0	11.0
RD50	10.3	13.7	15.5	17.1	20.6
RD65	19.1	25.4	28.6	31.8	38.2
RD80	39.3	52.2	58.8	65.3	78.4
RD90	57.8	77.1	86.8	96.4	115.7
RD100	84.4	112.5	126.5	140.6	168.7
RD125	171.2	228.4	256.9	285.4	342.5
RD140	243.3	324.4	365.0	405.5	486.6
RD160	350.7	467.6	526.0	584.4	701.3
RD210	725.4	967.2	1,088.1	1,209.0	1,450.8

Torque table (Spring return)

Unit : Nm

Model	Spring unit	Supply Air													
		3Bar		4Bar		4.5Bar		5Bar		6Bar		7Bar		SPRING	
		0°	90°	0°	90°	0°	90°	0°	90°	0°	90°	0°	90°	90°	0°
RS40	1	2.0	-	4.0	2.0	5.0	3.0	6.0	4.0	8.0	7.0	10.0	8.0	10.0	6.0
	2	1.0	-	2.0	-	3.0	-	4.0	-	6.0	2.0	8.0	4.0	12.0	9.0
RS50	5	6.8	5.3	10.2	8.7	11.9	10.4	13.6	12.1	-	-	-	-	5.0	3.5
	6	6.2	4.3	9.6	7.7	11.3	9.5	13.0	11.1	16.5	14.6	-	-	6.0	4.1
	7	5.5	3.3	8.9	6.7	10.6	8.4	12.3	10.1	15.8	13.6	19.2	17.0	7.0	4.8
	8	4.7	2.3	8.1	5.7	9.9	7.4	11.5	9.1	15.0	12.6	18.4	16.0	8.0	5.6
	9	-	-	7.4	4.6	9.2	6.4	10.8	8.0	14.3	11.5	17.7	14.9	9.1	6.3
	10	-	-	6.8	3.7	8.5	5.5	10.2	7.1	13.7	10.6	17.1	14.0	10.0	6.9
	11	-	-	-	-	7.8	4.4	9.5	6.1	13.0	9.6	16.4	13.0	11.0	7.6
	12	-	-	-	-	-	-	-	-	12.3	8.5	15.7	11.9	12.1	8.3
RS65	5	13.2	10.1	19.6	16.5	22.8	19.7	26.0	22.9	-	-	-	-	8.9	5.9
	6	11.9	8.3	18.3	14.7	21.5	17.9	24.7	21.1	31.1	27.5	-	-	10.8	7.1
	7	10.8	6.5	17.1	12.9	20.3	16.1	23.5	19.3	29.9	25.7	36.3	32.0	12.6	8.3
	8	9.6	4.7	16.0	11.1	19.2	14.3	22.4	17.5	28.7	23.8	35.1	30.2	14.4	9.5
	9	-	-	14.8	9.3	18.0	12.5	21.2	15.6	27.6	22.0	34.0	28.4	16.2	10.6
	10	-	-	13.6	7.5	16.8	10.6	20.0	13.8	26.4	20.2	32.8	26.6	18.0	11.8
	11	-	-	-	-	15.6	8.8	18.8	12.0	25.2	18.4	31.6	24.8	19.8	13.0
	12	-	-	-	-	-	-	-	-	24.1	16.7	30.4	23.1	21.5	14.2
RS80	5	26.6	19.6	39.6	32.5	46.2	39.1	52.7	45.6	-	-	-	-	19.7	12.6
	6	24.1	15.6	37.1	28.6	43.7	35.2	50.2	41.6	63.3	54.7	-	-	23.7	15.1
	7	21.6	11.7	34.6	24.7	41.2	31.3	47.7	37.8	60.8	50.9	73.8	63.9	27.5	17.6
	8	19.1	7.7	32.1	20.7	38.7	27.3	45.2	33.8	58.3	46.9	71.3	60.0	30.7	20.1
	9	-	-	29.6	16.7	36.2	23.3	42.7	29.8	55.7	42.9	68.8	56.0	35.5	22.6
	10	-	-	27.1	12.9	33.7	19.5	40.4	25.9	53.2	39.0	66.3	52.1	39.4	25.1
	11	-	-	-	-	31.2	15.5	37.7	22.0	50.7	35.0	63.8	48.1	43.3	27.6
	12	-	-	-	-	-	-	-	-	48.2	31.2	61.3	44.3	47.2	30.1
RS90	5	38.7	27.6	57.9	46.9	67.7	56.6	77.3	66.2	-	-	-	-	30.2	19.1
	6	34.8	21.5	54.1	40.8	63.8	50.5	73.4	60.1	92.7	79.4	-	-	36.3	23.0
	7	31.0	15.6	50.2	34.8	59.9	44.6	69.6	54.2	88.8	73.4	108.0	92.7	42.3	26.9
	8	27.2	9.5	46.4	28.8	56.2	38.5	65.8	48.1	85.0	67.4	104.3	86.6	48.3	30.6
	9	-	-	42.6	22.7	52.3	32.4	61.9	42.0	81.2	61.3	100.4	80.5	54.4	34.5
	10	-	-	38.7	16.6	48.4	26.4	58.0	36.0	77.3	55.2	96.5	74.5	60.5	38.4
	11	-	-	-	-	44.7	20.4	54.3	30.0	73.5	49.3	92.8	68.5	66.4	42.1
	12	-	-	-	-	-	-	-	-	69.7	43.2	88.9	62.4	72.5	46.0
RS100	5	58.3	43.8	86.4	71.9	100.4	85.9	114.5	100.0	-	-	-	-	40.6	26.1
	6	53.0	35.6	81.2	63.8	95.2	77.8	109.3	91.9	137.4	120.0	-	-	48.7	31.3
	7	47.8	27.6	75.9	55.7	89.9	69.7	104.0	83.8	132.1	112.0	160.3	140.1	56.8	36.6
	8	42.6	19.5	70.8	47.6	84.8	61.6	98.9	75.7	127.0	103.8	155.1	131.9	64.9	41.7
	9	-	-	65.5	39.4	79.5	53.5	93.6	67.6	121.7	95.7	149.9	123.8	73.0	47.0
	10	-	-	60.3	31.3	74.3	45.3	88.4	59.4	116.5	87.6	144.6	115.7	81.2	52.2
	11	-	-	-	-	69.1	37.2	83.2	51.3	111.3	79.4	139.5	107.5	89.3	57.4
	12	-	-	-	-	-	-	-	-	106.1	71.4	134.2	99.5	97.3	62.6
RS125	5	117.1	86.7	174.3	143.9	202.8	172.4	231.3	201.0	-	-	-	-	84.5	54.1
	6	106.3	69.2	163.5	126.4	192.0	154.9	220.5	183.4	277.6	240.5	-	-	102.0	64.9
	7	95.5	52.7	152.6	109.9	181.2	138.4	209.7	167.0	266.8	224.0	323.8	281.1	118.5	75.7
	8	84.7	35.2	141.8	92.4	170.4	120.9	198.9	149.5	256.0	206.5	313.0	263.6	136.0	86.5
	9	-	-	131.0	75.9	159.5	104.4	188.1	133.0	245.1	190.0	302.2	247.1	152.4	97.3
	10	-	-	120.2	58.4	148.7	86.9	177.3	115.5	234.3	172.5	291.4	229.6	170.0	108.2
	11	-	-	-	-	137.4	70.5	165.9	99.0	223.0	156.0	280.1	213.1	186.4	119.5
	12	-	-	-	-	-	-	-	-	212.7	138.5	269.8	195.6	203.9	129.8
RS140	5	126.3	82.5	248.0	204.2	288.5	244.7	329.1	285.3	-	-	-	-	120.3	76.4
	6	110.5	58.3	232.1	179.9	272.7	220.5	313.2	261.0	394.3	342.1	-	-	144.5	92.3
	7	95.6	35.0	217.2	156.6	257.8	197.2	298.3	237.7	379.4	318.8	460.5	399.9	167.8	107.2
	8	79.7	10.7	201.4	132.4	241.9	172.9	282.5	213.5	363.6	294.6	444.7	375.7	192.0	123.1
	9	-	-	186.4	108.1	227.0	148.7	267.5	189.2	348.6	270.3	429.7	351.4	216.3	138.0
	10	-	-	170.6	83.9	211.1	124.4	251.7	165.0	332.8	246.1	413.9	327.2	240.5	153.8
	11	-	-	-	-	196.2	101.1	236.8	141.7	317.9	222.8	399.0	303.9	263.8	168.7
	12	-	-	-	-	-	-	-	-	302.0	198.6	383.1	279.7	288.0	184.6
RS160	5	235.4	179.7	352.3	296.6	410.7	355.0	469.1	413.4	-	-	-	-	171.0	115.4
	6	211.7	145.7	328.6	262.7	387.0	321.1	445.4	379.5	562.3	496.4	-	-	205.0	139.1
	7	189.0	110.7	305.9	227.6	364.3	286.0	422.7	344.4	539.6	461.3	656.5	578.2	240.0	161.7
	8	165.3	76.7	282.2	193.6	340.6	252.0	399.0	310.4	515.9	427.3	632.8	544.3	274.0	185.4
	9	-	-	259.6	159.7	318.0	218.1	376.4	276.5	493.3	393.4	610.2	510.3	308.0	208.1
	10	-	-	236.9	125.7	295.3	184.1	353.7	242.5	470.6	359.4	587.5	476.3	342.0	230.7
	11	-	-	-	-	271.6	150.1	330.0	208.5	446.9	325.4	563.8	442.3	376.0	254.4
	12	-	-	-	-	-	-	-	-	424.3	290.4	541.2	407.3	411.0	277.1
RS210	4	563.8	442.9	805.6	684.6	-	-	-	-	-	-	-	-	282.5	161.6
	5	523.4	372.3	765.2	614.1	886.1	735.0	1,007.0	855.9	-	-	-	-	353.1	202.0
	6	483.1	301.7	724.8	543.4	845.7	664.4	966.7	785.3	1,208.2	1,027.0	-	-	423.7	242.4
	7	442.6	231.0	684.3	472.8	805.3	593.7	926.2	714.6	1,168.0	956.4	1,410.1	1,197.9	494.4	282.8
	8	-	-	644.0	402.2	764.9	523.1	885.8	644.1	1,127.9	885.8	1,369.9	1,127.9	565.0	323.2
	9	-	-	603.6	331.6	724.5	452.5	845.4	573.4	1,087.7	815.1	1,328.7	1,056.8	635.6	363.6
	10	-	-	563.2	260.9	684.1	381.8	805.0	502.7	1,046.5	744.5	1,288.5	986.3	706.3	404.0
	11	-	-	-	-	643.8	311.3	764.7	432.2	1,006.4	673.9	1,248.4	915.8	776.8	444.3
12	-	-	-	-	603.3	240.6	724.2	361.5	965.9	603.3	1,208.2	845.1	847.5	484.8	

- You may select the number of springs (unit); if unspecified in P/O, the standard type (as shown in the yellow box) is provided.
- SR 型彈簧扭力可通過彈簧數量調整，如訂單上沒有特別標註我們以標準（黃色框）出貨。

WHY CHOOSE



?

Aluminum Cover: is not easily peeled off, and its polish can last long as it is power coated upon special surface treatment.

鋁合金端蓋：進行特殊表面處理後塗裝，表面不易脫落，可長期維持光澤。

As there is **no friction between metal to metal**, product life is long and without noise.

沒有金屬間的摩擦，壽命長，無噪音。

ISO 5211/DIN3337: is the international standards, and thus the products can easily be fitted (assembled) with the accessories such as limit switch box.

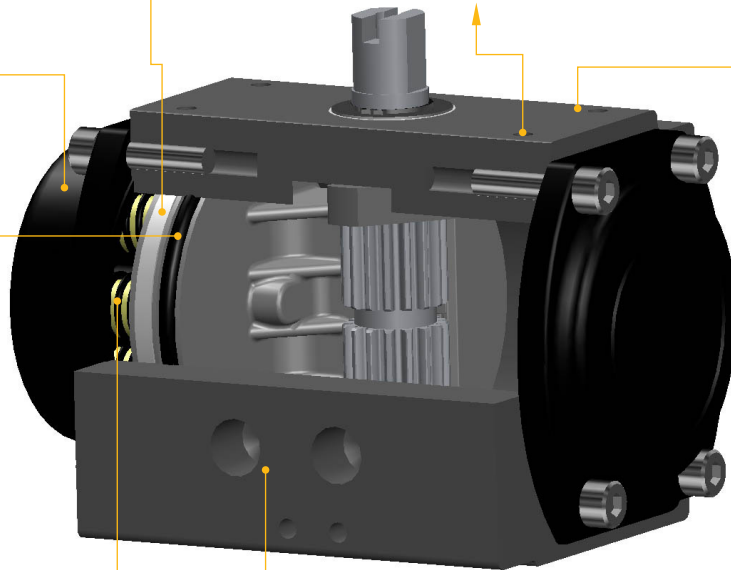
ISO5211/DIN3337: 標準規格部件，可直接裝上限位開關等配件。

Aluminum Body is anodized to prevent internal/external scratches and thus securing long product life.

鋁合金缸體：陽極硬化處理，可同時保護內 / 外部，不易被刮傷，有助於延長壽命。

NBR: The products can be used at low/high temperature as the products are available in EPDM and/ or VITON in addition to the standard NBR.

NBR: 除了標準 NBR 以外，EPDM 或 VITON 可以在高 / 低溫使用。

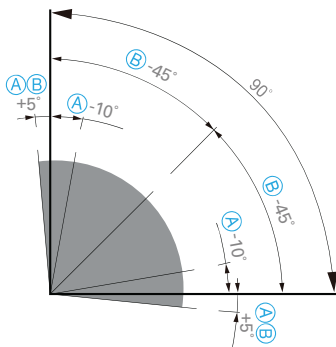


Spring Cap: enables safer assembly/ disassembly.

彈簧套：利用彈簧套保障安全，可安全的進行分解及裝配工作。

NAMUR: is the international standard, and thus the products can easily be fitted with solenoid valves.

NAMUR: 標準規格部件，可以迅速、簡便的裝上電磁閥。



<p>Ⓐ -STANDARD</p> <p>Ⓑ -SPECIAL (OPTION)</p>	<p>Angle range</p> <p>+5°</p> <p>90° -10° (standard)</p> <p>-45° (option)</p>
---	---

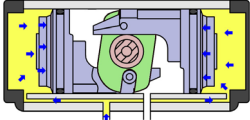
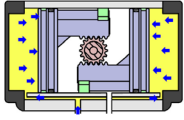
RD RS or Sr Selection guide

VALVE SIZE		Double acting		Spring return		
		Ball Valve	Butterfly Valve	Ball Valve	Butterfly Valve	
1/2"	15A	32D(one pfiere)	50D		40S	
3/4"	20A	40D(one pfiere)			50S	
1"	25A		65D		65S	
1-1/4"	32A				80S	
1-1/2"	40A		80D	50D	90S	50S
2"	50A				100S	65S
2-1/2"	65A		90D	65D	125S	80S
3"	80A		100D			140S
4"	100A		125D	80D	160S	100S
5"	125A		140D			210S
6"	150A		160D	100D	300S	140S
8"	200A		210D	125D		
10"	250A		300D	140D		160S
12"	300A				160D	
14"	350A			210D		300S
16"	400A					
18"	450A			300D		
20"	500A					

- The above data is for reference only; the actual assembly may be different depending on valve material, pressure, structure, fluid and operational environment.
- 此數據僅供參考，數據會以閥門，使用環境而不同。此數據只是一個參考之一，會因閥門的材料，壓力閥，使用環境而不同。

How to order

- R** — Rack&pinion | 齒輪齒條
Adjust angle (scotch-yoke) | 撥插式
Heavy-duty | 重型驅動器
- D** — Double acting | 雙動
Spring return | 單動
- 65** — Model Number | 缸徑

Scotch-yoke 撥插式	Rack&Pinion 齒輪齒條
<ul style="list-style-type: none"> - Smooth on/off with the torque curve synchronized with valves - Relatively higher torque than the same model in Rack&Pinion type - 開和關的時候的輸出扭力是最大的 - 正和閥門需要的扭力是一致的 - 在同樣缸徑的情況下撥插式的比齒輪齒條的扭力大很多 	<ul style="list-style-type: none"> - Short body length makes it easier to fit in small spaces. - The multi-spring structure enables adjustment of number of springs to suit the site requirements. - 缸體的長度短可以安裝在空間小的區域內 - 個別小彈簧組合根據使用者的需要可以在現場調整彈簧的數量
	



- Data contained in the Catalog may be subject to change without advance notice for improvement of performance&safety of Product.
- 這為用戶的安全性能數據產品目錄，如有變更，恕不另行通知

Cat:Aug.2013-7.11R