



IP66
IP68



Hard Anodize

防爆型氣動閥

Scotch-Yoke



Side Hand Wheel Manual

雙動/單動都可使用
可在打開或關閉的狀態上鎖
使用方便 結構簡單·無故障

PNEUMATIC ACTUATOR

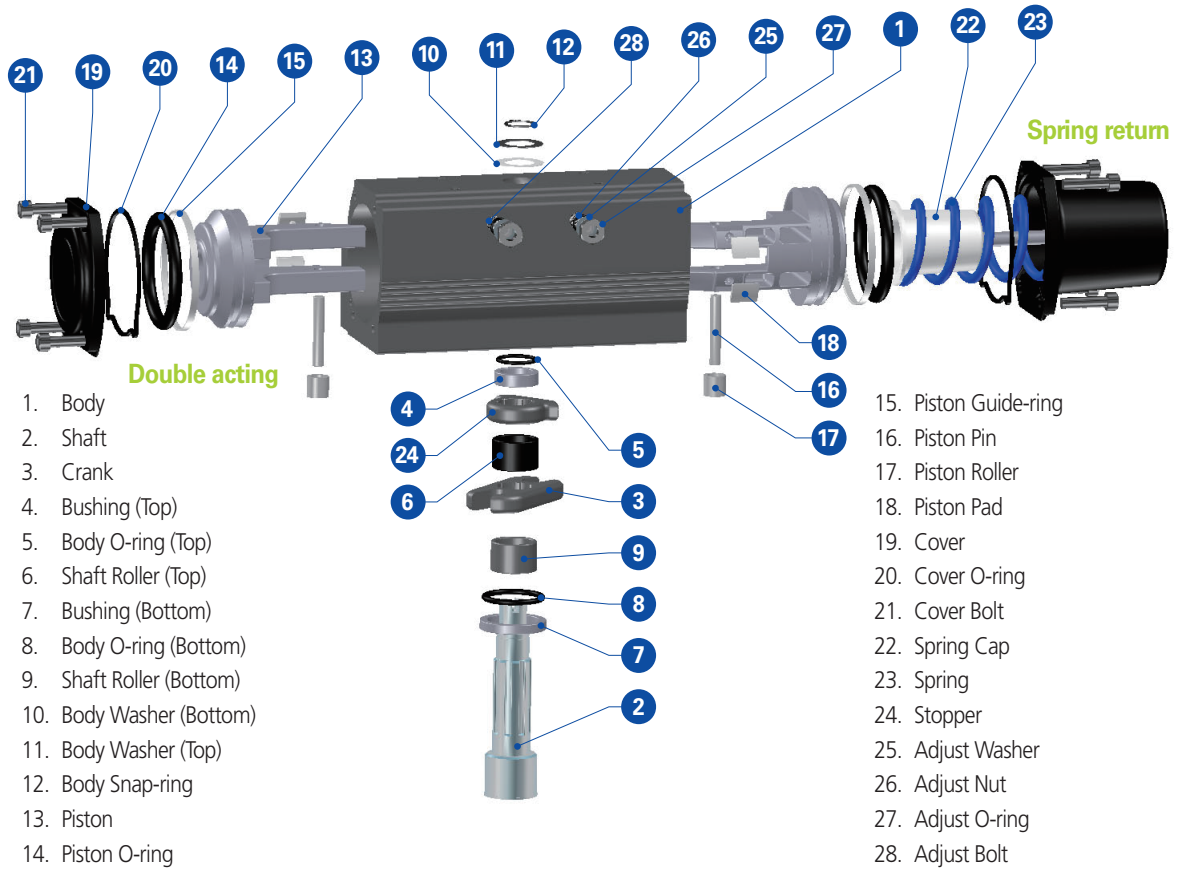
A series (scotch-yoke)

NEWEST VERSION , ALUMINUM GRAY WITH ANODIZE

Output Torque : Max. 8480Nm (Double Acting) ; Max.3550Nm (Spring Return)

www.autovalve.tw

Part List

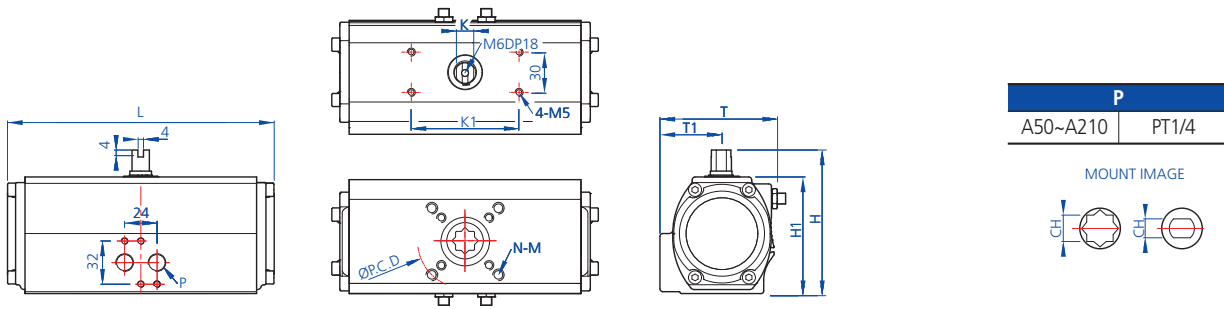


Operating Mechanism

DOUBLE ACTING	Action "A" 	<p>Open</p>	<p>Close</p>
	SPRING RETURN Action "A" (Fail Close) 	<p>Open</p>	<p>Close</p>
	Action "B" (Fail Open) 	<p>Close</p>	<p>Open</p>

AD Dimension table

Adjust angle/Double acting



Unit : mm

MODEL	K1	ISO	P.C.D(Ø)	N-G	K	L	T	T1	H	H1	CH	DTH	WG(Kg)
AD50	80	F03/F05/F07	36/50/70	4-M5/M6/M8	10	162	75	40	90	70	11*11	13	1.6
											14*14	14	
											9.7*Ø15	14	
AD65	80	F05/F07	50/70	4-M6/M8	13	202	89	46	107	87	14*14	17	2.7
											11.7*Ø17	17	
											9.7*Ø15	14	
AD80	80	F07	70	4-M8	17	262	101	49.5	126	106	17*17	19	4.3
											14.7*Ø19	20	
AD100	80	F07/F10	70/102	4-M8/M10	22	311	129	61.5	148	128	22*22	26	7.5
											17.7*Ø22	27	
AD125	80	F07/F10	70/102	4-M8/M10	22	390	151	71.5	174	154	22*22	26	11.6
AD140	80	F10/F12	102/125	4-M10/M12	24	431	164	77	192	172	27*27	30	18.9
											22*22	26	
AD160	80	F14	140	4-M16	32	506	188	89	216	196	36*36	30	26.3
		F10/F12	102/125	4-M10/M12							27*27		
AD210	130	F16	165	4-M20	36	605	231	115	284	254	46*46	60	47.2
											36*36	50	

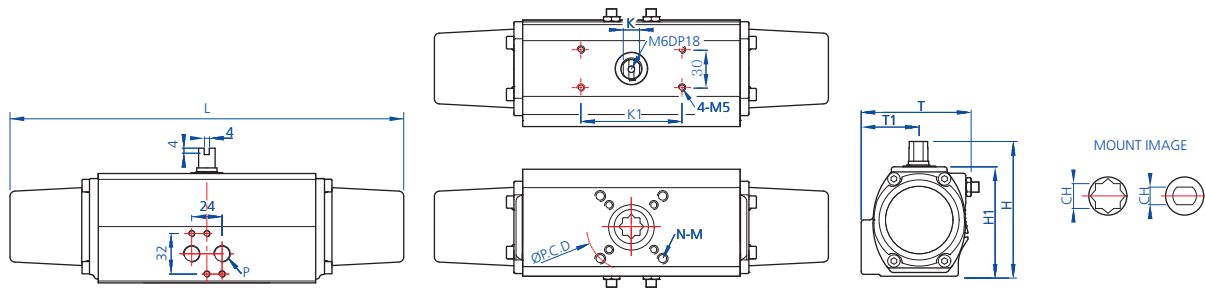
Torque table

Unit : Nm

Model	Angle	Supply air									
		3Bar		4Bar		4.5Bar		5Bar		6Bar	
		Close	Open	Close	Open	Close	Open	Close	Open	Close	Open
AD50	0°	29.0	21.0	37.0	28.0	37.5	32.5	38.0	37.0	42.0	41.0
	45°	15.0	16.0	20.0	21.0	22.5	23.5	25.0	26.0	30.0	31.0
	90°	25.0	25.0	33.0	38.0	36.0	39.0	39.0	40.0	50.0	52.0
AD65	0°	63.0	59.0	85.0	78.0	95.0	86.5	105.0	95.0	131.0	116.0
	45°	33.0	38.0	45.0	49.0	51.0	56.0	57.0	63.0	68.0	73.0
	90°	54.0	52.0	72.0	71.0	80.0	82.0	88.0	93.0	107.0	107.0
AD80	0°	121.0	105.0	164.0	143.0	160.0	163.0	156.0	183.0	261.0	210.0
	45°	65.0	69.0	84.0	92.0	98.0	106.5	112.0	121.0	130.0	144.0
	90°	97.0	101.0	130.0	133.0	150.5	144.5	171.0	156.0	198.0	209.0
AD100	0°	194.0	186.0	265.0	247.0	298.5	269.5	332.0	292.0	393.0	368.0
	45°	110.0	127.0	147.0	165.0	166.0	180.5	185.0	196.0	237.0	250.0
	90°	173.0	179.0	231.0	237.0	264.0	269.0	297.0	301.0	348.0	363.0
AD125	0°	428.0	432.0	576.0	551.0	650.5	614.5	725.0	678.0	886.9	793.9
	45°	255.0	273.0	339.0	360.0	382.0	401.5	425.0	443.0	513.0	531.0
	90°	385.0	375.0	510.0	491.0	572.5	552.0	635.0	613.0	750.0	732.0
AD140	0°	623.0	576.0	829.9	753.9	967.4	838.4	1104.9	922.9	1310.9	1096.9
	45°	333.0	331.0	450.0	455.0	514.5	518.5	579.0	582.0	691.0	668.0
	90°	520.0	523.0	689.0	720.0	775.9	799.9	862.9	879.9	1054.9	969.9
AD160	0°	952.9	812.9	1146.9	1061.9	1315.9	1186.9	1484.9	1311.9	1799.9	1599.9
	45°	540.0	569.0	730.0	757.9	824.9	853.4	919.9	948.9	1109.9	1132.9
	90°	879.9	978.9	1169.9	1319.9	1308.9	1477.4	1447.9	1634.9	1749.9	2026.9
AD210	0°	1979.9	1909.9	2799.8	2599.8	2939.8	2859.8	3299.8	3199.8	3919.7	3819.7
	45°	1099.9	1149.9	1459.9	1499.9	1709.9	1749.9	1919.9	1949.9	2299.8	2399.8
	90°	1669.9	1719.9	2149.9	2299.8	2599.8	2709.8	2799.8	2899.8	3349.8	3449.8

AS Dimension table

Adjust angle/Spring return



Unit : mm

MODEL	K1	ISO	P.C.D(Ø)	N-G	K	L	T	T1	H	H1	CH	DTH	WG(Kg)
AS50	80	F03/F05/F07	36/50/70	4-M5/M6/M8	10	257	75	40	90	70	11*11	13	1.7
											14*14	14	
											9.7*Ø15	14	
AS65	80	F05/F07	50/70	4-M6/M8	13		89	46	107	87	14*14	17	3.4
											11.7*Ø17	17	
											9.7*Ø15	14	
AS80	80	F07	70	4-M8	17	430	101	49.5	126	106	17*17	19	5.7
											14.7*Ø19	20	
AS100	80	F07/F10	70/102	4-M8/M10	22	500	129	61.5	148	128	22*22	26	10.6
AS125	80	F07/F10	70/102	4-M8/M10	22	606	151	71.5	174	154	22*22	26	17.9
AS140	80	F10/F12	102/125	4-M10/M12	24	682	164	77	192	172	27*27	30	25.2
											22*22	26	
AS160	80	F14	140	4-M16	32	781	188	89	216	196	36*36	30	36.8
		F10/F12	102/125	4-M10/M12							27*27		
AS210	130	F16	165	4-M20	36	982	231	115	284	254	46*46	60	76.9
											36*36	50	

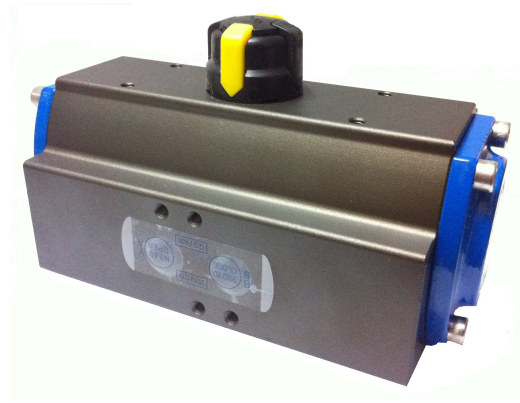
Torque table

Unit : Nm

Model	Angle	Spring torque: Weak		Spring torque: Middle		Spring torque: Strong	
		Spring to Close	Air to Open:3Bar	Spring to Close	Air to Open:4.5Bar	Spring to Close	Air to Open:6Bar
AS50	0°	10.0	20.0	14.0	26.0	17.0	34.0
	45°	9.0	9.0	12.0	12.0	15.0	15.0
	90°	20.0	10.0	26.0	14.0	34.0	17.0
AD65	0°	22.0	39.0	35.0	54.0	48.0	70.0
	45°	18.0	18.0	23.0	28.0	37.0	32.0
	90°	39.0	22.0	54.0	35.0	70.0	48.0
AS80	0°	40.0	70.0	60.0	100.0	80.0	130.0
	45°	30.0	30.0	50.0	50.0	70.0	70.0
	90°	70.0	40.0	100.0	60.0	130.0	80.0
AS100	0°	70.0	140.0	100.0	190.0	130.0	240.0
	45°	50.0	50.0	80.0	80.0	110.0	110.0
	90°	140.0	70.0	190.0	100.0	240.0	130.0
AS125	0°	150.0	250.0	230.0	380.0	300.0	510.0
	45°	130.0	130.0	190.0	190.0	260.0	260.0
	90°	250.0	150.0	380.0	230.0	510.0	300.0
AS140	0°	200.0	370.0	300.0	550.0	410.0	730.0
	45°	170.0	170.0	290.0	290.0	340.0	340.0
	90°	370.0	200.0	550.0	300.0	730.0	410.0
AS160	0°	400.0	540.0	550.0	750.0	769.9	1149.9
	45°	290.0	290.0	420.0	420.0	560.0	560.0
	90°	540.0	400.0	750.0	550.0	1149.9	769.9
AS210	0°	670.0	1199.9	1049.9	1619.9	1419.9	2169.9
	45°	560.0	560.0	939.9	939.9	1259.9	1259.9
	90°	1199.9	670.0	1619.9	1049.9	2169.9	1419.9

- You may select spring types from strong/middle/weak; if unspecified in P/O, the standard type (as shown in the green box) is provided.
- 彈簧分為 強/中/弱 三種供您選擇,如訂單上沒有特別標註,以標準(綠色框)出貨。

WHY CHOOSE



?

Aluminum Cover: is not easily peeled off, and its polish can last long as it is power coated upon special surface treatment.

鋁合金端蓋：進行特殊表面處理後塗裝，表面不易脫落，可長期維持光澤。

ISO5211/DIN3337: is the international standards, and thus the products can easily be fitted (assembled) with the accessories such as limit switch box.

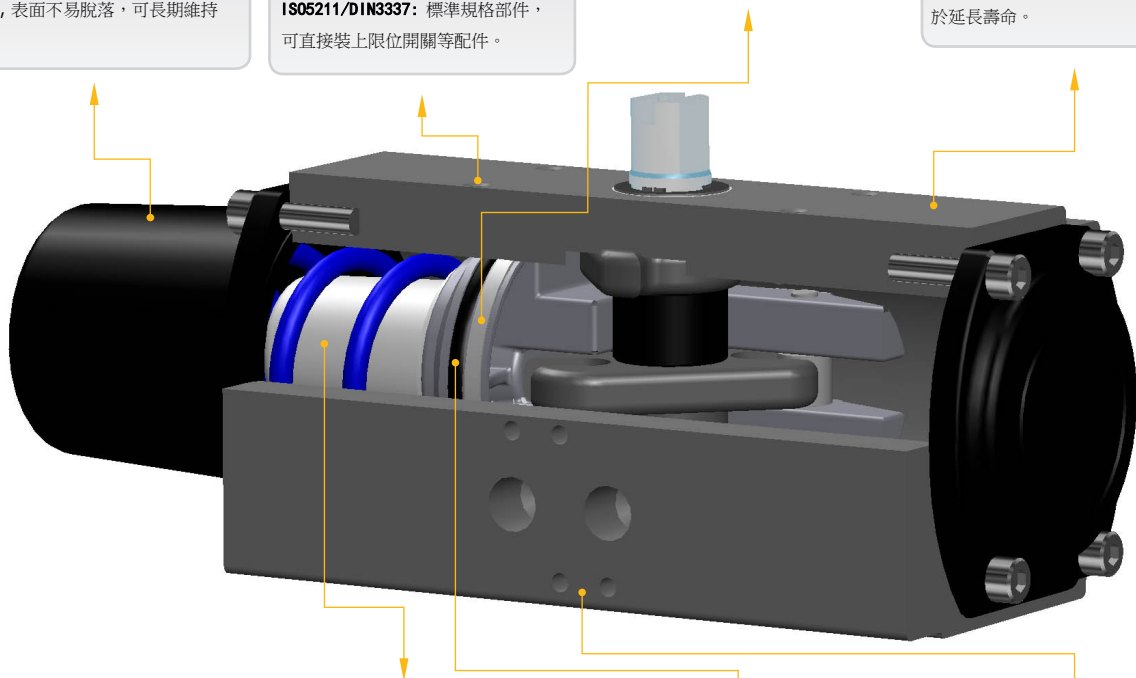
ISO5211/DIN3337: 標準規格部件，可直接裝上限位開關等配件。

As there is **no friction between metal to metal**, product life is long and without noise.

沒有金屬間的摩擦，壽命長，無噪音。

Aluminum Body is anodized to prevent internal/external scratches and thus securing long product life.

鋁合金缸體：陽極硬化處理，可同時保護內 / 外部，不易被刮傷，有助於延長壽命。



Spring Cap: enables safer assembly/disassembly.

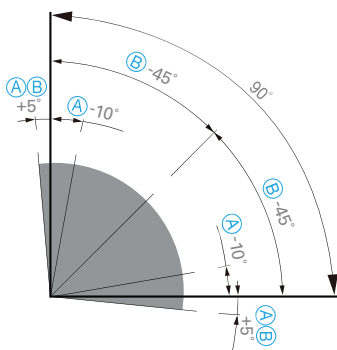
彈簧套：利用彈簧套保障安全，可安全的進行分解及裝配工作。

NBR: The products can be used at low/high temperature as the products are available in EPDM and/ or VITON in addition to the standard NBR.

NBR: 除了標準 NBR 以外，EPDM 或 VITON 可以在高 / 低溫使用。

NAMUR: is the international standard, and thus the products can easily be fitted with solenoid valves.

NAMUR: 標準規格部件，可以迅速、簡便的裝上電磁閥。



Ⓐ - STANDARD	Angle range	+5°
Ⓑ - SPECIAL (OPTION)		90° -10° (standard) -45° (option)

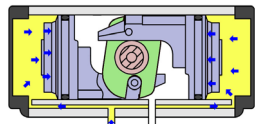
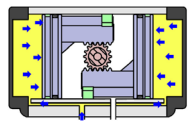
Selection guide

VALVE SIZE		Double acting 双动		Spring return 单动		
		Ball Valve 球阀	Butterfly Valve 蝶阀	Ball Valve 球阀	Butterfly Valve 蝶阀	
1/2"	15A	50D		50S		
3/4"	20A					
1"	25A					
1-1/4"	32A	65D		65S		
1-1/2"	40A		50D			50S
2"	50A					
2-1/2"	65A	80D		80S		
3"	80A					
4"	100A	100D	65D	100S	65S	
5"	125A	125D				125S
6"	150A	140D	80D	140S	80S	
8"	200A	160D				160S
10"	250A	210D				210S
12"	300A		125D		125S	
14"	350A		140D		140S	
16"	400A		160D		160S	
18"	450A					
20"	500A		210D		210S	

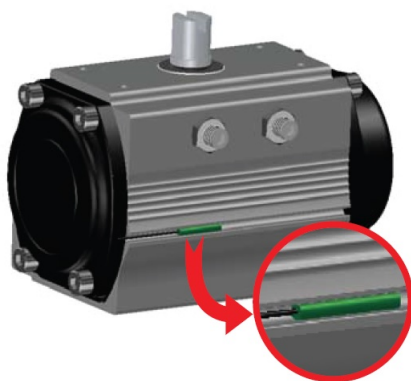
- The above data is for reference only; the actual assembly may be different depending on valve material, pressure, structure, fluid and operational environment.
- 此數據僅供參考，數據會以閥門，使用環境而不同。此數據只是一個參考之一，會因閥門的材料，壓力閥，使用環境而不同。

How to order

- A** — Rack&pinion | 齒輪齒條
Adjust angle (scotch-yoke) | 撥插式
Heavy-duty | 重型驅動器
- D** — Double acting | 雙動
Spring return | 單動
- 65** — Model Number | 缸徑

Scotch-yoke 撥插式	Rack&Pinion 齒輪齒條
<ul style="list-style-type: none"> - Smooth on/off with the torque curve synchronized with valves - Relatively higher torque than the same model in Rack&Pinion type - 開和關的時候的輸出扭力是最大的 - 正和閥門需要的扭力是一致的 - 在同樣缸徑的情況下撥插式的比齒輪齒條的扭力大很多 	<ul style="list-style-type: none"> - Short body length makes it easier to fit in small spaces. - The multi-spring structure enables adjustment of number of springs to suit the site requirements. - 缸體的長度短可以安裝在空間小的區域內 - 個別小彈簧組合根據使用者的需要可以在現場調整彈簧的數量
	

Special Order!!



Reed Switches 磁簧開關

缸體內部有磁力插槽
磁力感應器以滑槽式
任意調整位置，以電
路信號來了解缸體內
的工作狀況



- Data contained in the Catalog may be subject to change without advance notice for improvement of performance&safety of Product.
- 這為用戶的安全性能數據產品目錄，如有變更，恕不另行通知

Cat:Mar.2015-3.6A