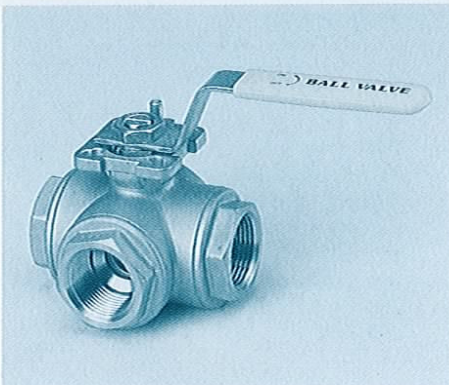


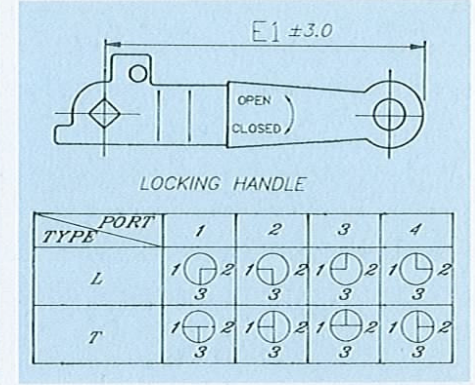
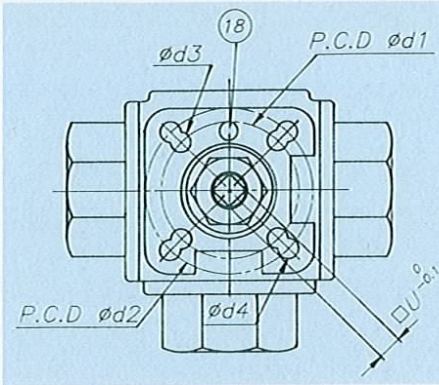
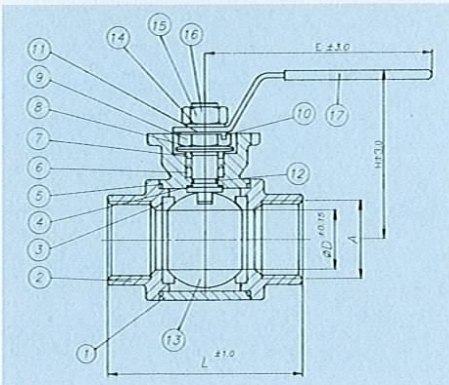
Fig. no. M3 Reduced Bore

4- PC Three Way Ball Valve 2000 WOG Extended Body Neck for direct actuator Mounting



- ISO 5211 Top Flange for actuator Mounting
- Blow-out Proof Stem Design
- Test Pressure:
Seat (air): 80 PSI 100%
Shell (Hydrostatic):
1/4" - 1": 3000 PSI
1 1/4" - 2": 2250 PSI
- Pressure Rating:
1/4" - 1": 2000 PSI WOG
1 1/4" - 2": 1500 PSI WOG

- Steam Rating: 150 PSI Saturated Steam (Non-Shock)
- End Connections:
Threaded end:
NPT-ANSI B 2.1
BSPT-BS 21
BSPP-DIN 259 2999
JISPT-JIS B 0203
- Optional:
• Anti-Static Device
• Locking device



SIZE	φD	A	L	□U	φd1	φd3	φd2	φd4	ISO 5211	E	E1	H	M
1/4"	11.6	1/4" NPT BSPP BSPT	80	9	36	5.5	42	5.5	F03 F04	114	114	73	7/16 UNF
3/8"	12.7	3/8" NPT BSPP BSPT	80	9	36	5.5	42	5.5	F03 F04	114	114	73	7/16 UNF
1/2"	12.0	1/2" NPT BSPP BSPT	80	9	36	5.5	42	5.5	F03 F04	114	114	73	7/16 UNF
3/4"	15.0	3/4" NPT BSPP BSPT	87.5	11	42	5.5	50	6.5	F04 F05	133	133	78	9/16 UNF
1"	20.0	1" NPT BSPP BSPT	100	11	42	5.5	50	6.5	F04 F05	133	133	83	9/16 UNF
1 1/4"	25.0	1 1/4" NPT BSPP BSPT	123	11	42	5.5	50	6.5	F04 F05	187	187	92	9/16 UNF
1 1/2"	32.0	1 1/2" NPT BSPP BSPT	142.2	11	42	5.5	50	6.5	F04 F05	187	187	98	9/16 UNF
2"	40.0	2" NPT BSPP BSPT	170.6	14	50	6.5	70	8.5	F05 F07	187	222	124	3/4 UNF

NO	PART NAME	Q'TY	CARBON STEEL	SATAINLESS STEEL
18	STOPPER	1	SUS304	SUS304
17	COVER	1	PLASTIC	PLASTIC
16	STEM	1	SUS304	SUS316
15	HANDLE NUT	1	CARBON STEEL	SUS304
14	WASHER	1	CARBON STEEL	SUS304
13	BALL	1	SUS304	SUS316
12	O-Ring	1	VITON	VITON
11	HANDLE	1	CARBON STEEL	SUS304
10	TAB WASHER	1	SUS304	SUS304
9	GLAND NUT	1	SUS304	SUS304
8	DISC SPRING	2	SUS301	SUS301
7	GLAND	1	SUS304	SUS304
6	STEM PACKING	2	PTFE	PTFE
5	BODY GASKET	3	PTFE	PTFE
4	THRUST WASHER	1	PTFE	PTFE
3	SEAT	4	PTFE or RPTFE	PTFE or RPTFE
2	END CAP	3	ASTM A216 Gr.WCB	ASTM A315 Gr.CF8M
1	BODY	1	ASTM A216 Gr.WCB	ASTM A315 Gr.CF8M
NO	PART NAME	Q'TY	CARBON STEEL	SATAINLESS STEEL